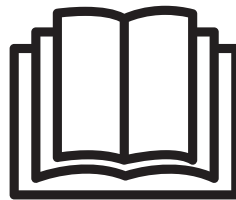
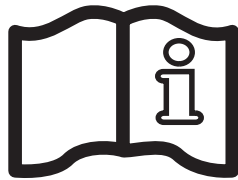
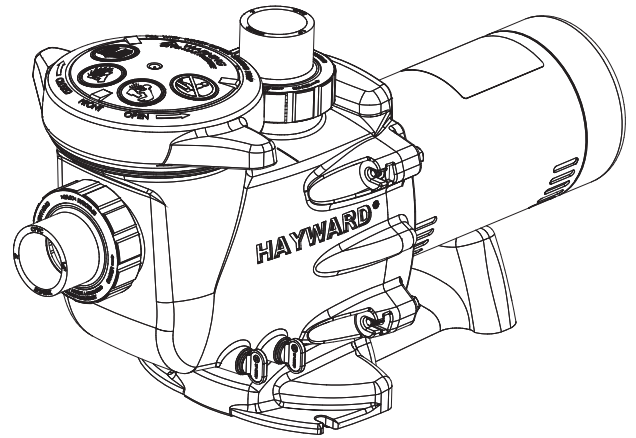
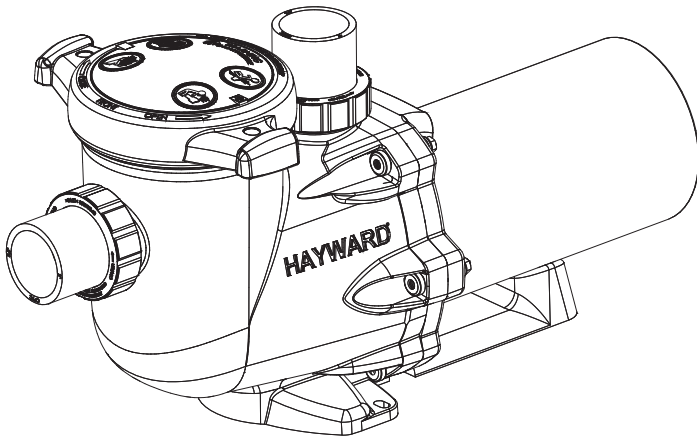




# HAYWARD®



## CENTRIFUGAL PUMP

USER GUIDE

**KEEP THIS MANUAL FOR FUTURE REFERENCE**



**WARNING: Electrical Hazard. Failure to follow instructions can result in serious injury or death.  
FOR USE WITH SWIMMING POOLS**

**⚠ WARNING** – Disconnect the pump from the main power supply completely before servicing the pump or filter.

**⚠ WARNING** – All electrical connections must be done by a qualified electrician according to local electrical standard.

F	NF C 15-100	GB	BS7671:1992
D	DIN VDE 0100-702	EW	EVHS-HD 384-7-702
A	ÖVE 8001-4-702	H	MSZ 2364-702:1994 / MSZ 10-533 1/1990
E	UNE 20460-7-702 1993, REBT ITC-BT-31 2002	M	MSA HD 384-7-702.S2
IRL	IS HD 384-7-702	PL	PN-IEC 60364-7-702:1999
I	CEI 64-8/7	CZ	CSN 33 2000 7-702
LUX	384-7.702 S2	SK	STN 33 2000-7-702
NL	NEN 1010-7-702	SLO	SIST HD 384-7-702.S2
P	RSIUEE	TR	TS IEC 60364-7-702

**⚠ WARNING** – Be certain the machine is only plugged into a protected 230 V<sub>~</sub> outlet that is protected from short-circuits. The pump is to be supplied by an isolating transformer or supplied through a residual current device (RCD) having a rated residual operating current not exceeding 30 mA.

**⚠ WARNING** – Children should be supervised to ensure that they do not play with the appliance. Keep fingers and foreign objects away from openings and moving parts.

**⚠ WARNING** – Motor must be suitably grounded. Connect ground wire to green grounding screw and for cord connected units use properly grounded outlet.

**⚠ WARNING** – Use a motor bonding lug to connect motor with other bonded parts using the appropriate size conductor as required by electrical codes.

**⚠ WARNING** – When making these electrical connections, refer to the diagram given under the lid of the motor terminal box. Be sure to check the electric connections are tight and sealed before powering up. Replace all covers before operation.

**⚠ WARNING** – Make sure that the power supply voltage required by the motor corresponds to that of the distribution network and that the power supply cables matches the power and current of the pump.

**⚠ WARNING** – Read and follow all instructions in this owner's manual and on the equipment. Failure to follow instructions can cause serious injury or death. This document should be given to the owner of the swimming pool and must be kept by the owner in a safe place.

**⚠ WARNING** – The appliance can be used by children aged from 8 years and above and persons with reduced physical, sensory or mental capabilities, or lack of experience and knowledge, if they have been given supervision or instruction concerning use of the appliance in a safe way and understand the hazards involved.

**⚠ WARNING** – Cleaning and user maintenance shall not be made by children without supervision.

**⚠ WARNING** – The pump is intended for continuous operation at Maximum Water temperature 35°C.

**⚠ WARNING** – Use Only Genuine Hayward Replacement Parts.

**⚠ WARNING** – If the supply cord is damaged it must be replaced by the manufacturer, service agent, or similarly qualified persons in order to avoid a hazard.

**⚠ WARNING** – For disconnection from main power supply an external switch having a contact separation in all poles that provide a full disconnection under overvoltage category III conditions must be incorporated in the fixed wiring in accordance with the wiring rules.

**⚠ WARNING** – Do not operate the swimming pool pump if the power cord or the housing of the motor connection box is damaged. This can cause an electric shock. A damaged power cord or motor connection box must be replaced by a service agent or a similarly qualified person immediately in order to avoid a hazard.

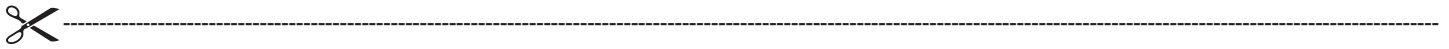
**⚠ WARNING** – This pool motor is NOT equipped with a Safety Vacuum Release System (SVRS). SVRS helps prevent drowning due to body entrapment on underwater drains. In some pool configuration, if a person's body covers the drain, the person can be trapped by suction. Depending on your pool configuration, a SVRS may be required to meet local requirements.

**USE ONLY HAYWARD GENUINE REPLACEMENT PARTS**

## REGISTRATION

Hayward thanks you for buying this product. This manual contains important information regarding the operation and maintenance of your product. Keep it carefully for future reference.

**TO REGISTER YOUR PRODUCT, GO TO:**  
<http://www.hayward.fr/en/services/register-your-product>



### For your information

Record the following information future reference, if necessary:

- 1) Date of purchase \_\_\_\_\_
- 2) Name \_\_\_\_\_
- 3) Address \_\_\_\_\_
- 4) Post Code \_\_\_\_\_
- 5) Email \_\_\_\_\_
- 6) Part number \_\_\_\_\_ Serial number \_\_\_\_\_
- 7) Dealer \_\_\_\_\_
- 8) Address \_\_\_\_\_
- 9) Post code \_\_\_\_\_ Country \_\_\_\_\_

### Note

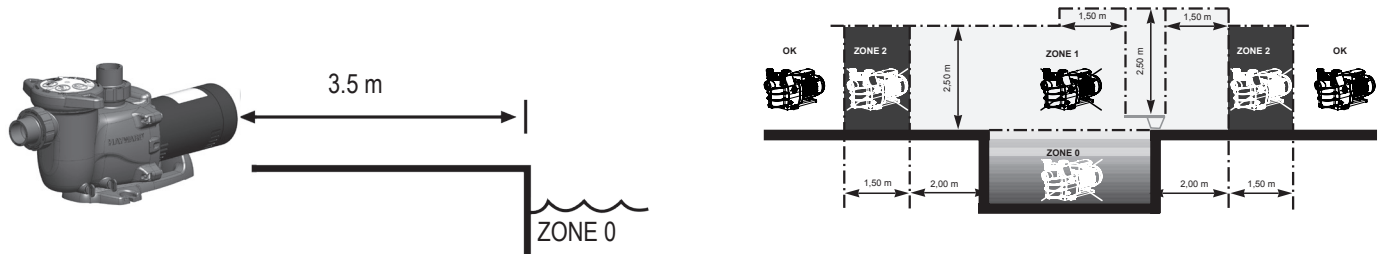


**USE ONLY HAYWARD GENUINE REPLACEMENT PARTS**

## GENERAL POINTS

Install the pump at a suitable distance from the pool to reduce the distance between the suction point and the pump as much as possible to avoid pointless excessive pressure drops on the hydraulic circuit.

However, it is essential to comply with the safety distance required by the current installation standard (3.5 metres minimum). Install and use the product at an altitude less than 2000m



Install the pump in a dry, well-ventilated place. The motor requires the air to circulate freely around it to allow natural ventilation. Check regularly that no objects, leaves or other debris are blocking the motor cooling system.

The pump must be installed to ensure that the external disconnection switch incorporated into the fixed unit is visible and easily accessible. The switch must be located near to the pump.

The pump must be permanently installed on a concrete base using 8mm lag screws suitable for concrete, screwed into drilled implantation holes. Lock washers must be used to prevent the installation lag screws working loose over time. If the pump has to be mounted on a wooden board, Ø 8mm hexagonal wood screws must be used combined with lock washers to prevent the screws working loose over time.

The acoustic pressure of Hayward pumps is less than 70dB (A).

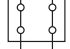
### Necessary measures:

- Connect the pump to the earth: Never operate the pump unless it is connected to the earth.
- Connect the pump with a H07RN-F 3G1mm<sup>2</sup> type cable (D max 7,8mm)
- Include a 30mA differential protection to protect people against electric shocks which may be caused by a breach of the equipment's electrical insulation.
- Include short-circuit protection (the rating is determined according to the value given on the nameplate on the motor).
- Include a means of disconnection from the power supply having an opening distance on the contacts of all the poles ensuring the power supply is completely cut off under the conditions of a category III overvoltage.

### Single phase electric motor:

The single phase motors fitted to our pumps are provided with thermal protection. This protection operates on an overload or in the event of abnormal heating of the motor coil and is reset automatically when the winding temperature drops.

### Three phase electric motor:

On three phased motors the internal heat protection (screw terminal blocks ) is to be connected serially in the pump's power contactor command line.

Check the running direction of the pump motor (a label is provided on the motor housing to indicate the motor running direction).

If so required by regulations and whatever the motor type, in addition to the devices mentioned above, it is also necessary to install a thereto-magnetic protective device calibrated in accordance with the indications on the motor name-plate.

The table on page 108 indicates the various characteristics of the motors fitted to our pumps.

**Electrical connection:** Make sure that the power supply voltage required by the motor corresponds to that of the distribution network and that the power supply cables matches the power and current of the pump.

All the electric connections of the pump and the possible change of power supply cable must be hand-led by a qualified professional so as to avoid all possible danger.

When making these electrical connections, refer to the diagram given under the lid of the motor terminal box.

Be sure to check the electric connections are tight and sealed before powering up.

The pre-wiring that might be included on some of the pumps must be removed for final connection of the pump to the electric power supply. This pre-equipment is only used for works testing during the manufacturing phases.

## INSTALLATION

Install the pool pump so as to reduce pressure drops to a minimum whilst complying with the distances specified in the installation standard, namely 3.5m minimum between the pump and the pool. The suction pipe must be installed with a slight uphill incline towards the pump axis. Ensure that the connections are correctly tightened and watertight. However, avoid excessively tightening the pipes. For plastic materials, use Teflon only to ensure watertightness. The diameter of the suction pipe shall depend on that of the discharge pipe. Avoid damp or non-ventilated locations. The motor requires the cooling air to circulate freely.

**IMPORTANT:** Check the direction of rotation before permanently connecting the motor.

**INSTRUCTIONS FOR START-UP AND PRIMING:** Fill the body of the strainer with water up to the level of the suction pipe. Never run the pump without water, as the water is necessary for cooling and lubrication of the mechanical shutter. Open all the suction and discharge pipe valves, and the filter air purge valve if there is one. (Any air in the suction pipes must be eliminated). Start up the generator and wait a reasonable time for priming. Five minutes is not excessive for priming (this time depends on the suction head and the length of the suction pipe). If the pump does not start or does not prime, please refer to the troubleshooting guide.

## MAINTENANCE

1. Completely disconnect the pump from the mains power supply before opening the cover and cleaning the strainer. Clean the strainer basket regularly. Do not bang on the basket to clean it. Check the seal on the cover of the strainer and replace it if necessary.
2. The motor shaft is mounted on self-lubricating bearings which do not require any subsequent lubrication.
3. Keep the motor clean and dry and ensure the ventilation openings are not blocked.
4. The mechanical shutter occasionally starts to leak and must then be changed.
5. Apart from cleaning the pool, all repairs, servicing and maintenance must be carried out by a Hayward-approved agent or a qualified person.

## WINTERING

1. Empty the pump by removing all the drain plugs and store them in the strainer basket.
2. Disconnect the pump, remove the pipe connectors and store the entire unit in a dry, well-ventilated place or at least take the following precaution: disconnect the pump, remove the 4 bolts attaching the pump housing to the motor bracket and store the unit in a dry, well-ventilated place. Then cover the pump housing and strainer to protect them.

**N.B.:** Before recommissioning the pump, clean all the internal parts to remove dust, lime scale etc.

## TROUBLESHOOTING

### A) The motor does not start

1. Check the electrical connections, switches or relays, and the circuit breaker or fuses.
2. Ensure that the motor turns freely by hand.

### B) The motor stops, check

1. The cables, connections, relays etc.
2. Voltage drop on motor (frequently caused by cables that are too small).
3. That there is no seizing or overheating (by reading the absorbed current).

**N.B.:** The motor on your pump is fitted with a thermal protection which, in the case of overload, will automatically cut the circuit and avoid the motor being damaged. This triggering is caused by abnormal usage conditions which need to be checked and corrected. The motor will restart without any intervention as soon as normal operating conditions are restored.

### C) The motor growls but does not start, check that a phase is not cut, the capacitor is not damaged.

### D) The pump does not prime

1. Ensure the strainer housing is filled with water, that the cover seal is clean and correctly positioned and that no air can enter. If necessary, tighten the cover lock screws.
2. Ensure that all the suction and discharge valves are open and not blocked and that the suction outlets in the pool are fully submerged.
3. Check that the pump draws by freeing the suction as close as possible to the pump:
  - a) if the pump does not draw despite being sufficiently full of priming water
    1. Tighten the bolts and pipe accessories on the suction side.
    2. Check the voltage to ensure that the pump is rotating at the correct speed.
    3. Open the pump and check that nothing is blocking it inside,
    4. Replace the mechanical shutter.
  - b) If the pump is drawing normally, check the suction pipe and strainer which may be blocked or be allowing air to enter.

### E) Low flow - Generally, Check for :

1. Clogged or restricted strainer or suction line; undersized pool piping.
2. Plugged or restricted discharge line of filter (high discharge gauge reading).
3. Air leak in suction (bubbles issuing from return fittings).
4. Pump operating under speed (low voltage).
5. Plugged or restricted impeller.

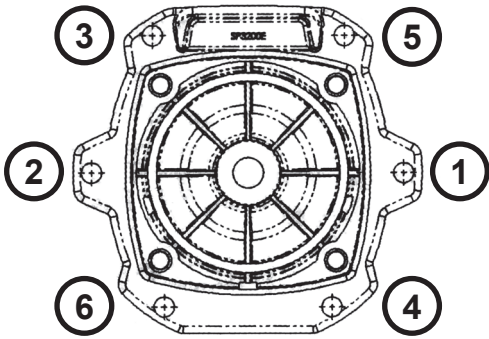
### F) Noisy pump, check

1. That no air is entering the suction side and causing dull crackling in the pump.
2. That there is no cavitation caused by insufficient diameter or a restriction in the suction tube. An over-sized discharge pipe can also cause cavitation. Use pipes of the correct size or purge the pipes if necessary.
3. That no vibration is occurring due to incorrect fitting.
4. That there are no foreign bodies in the pump housing.
5. That the motor bearings have not seized due to excessive clearance, rust or prolonged overheating.

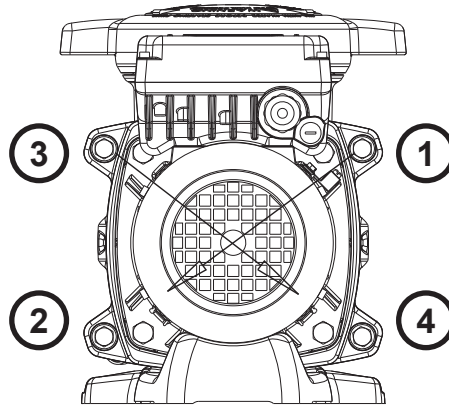
Pompe	Référence moteur	Puissance nominale	Voltage Fréquence Nb de phases	Ampérage	Condensateur	Taille et réglage disjoncteur	Hauteur manométrique à débit=0
Pump	Motor reference	Nominal power	Voltage Frequency Number of phases	Amperage	Capacitor	Circuit breaker size and setting	Manometric head at flow = 0
Bomba	Referencia motor	Potencia nominal	Voltaje Frecuencia Número de fases	Amperaje	Condensador	Tamaño y ajuste disyuntor	Altura manométrica de caudal=0
Bomba	Referência do motor	Potência nominal	Tensão Frequência Número de fases	Amperagem	Condensador	Tamanho e regulação do disjuntor	Altura manométrica para caudal = 0
Pumpe	Motorreferenz	Nennleistungs- aufnahme	Voltzahl Frequenz Phasenzahl	Stromstärke	Kondensator	Größe und Einstellung Sicherung	Druckhöhe bei Durchfluss=0
Pomp	Motorreferentie	Nominaal vermogen	Spanning Frequentie Aantal fases	Stroomsterkte	Condensator	Grootte en instelling beveiligingsschakelaar	Opvoerhoogte bij doorstroming=0
Pompa	Riferimento motore	Potenza nominale	Voltaggio Frequenza Numero fasi	Amperaggio	Condensatore	Dimensione e regolazione interruttore differenziale	Altezza manometrica a capacità=0
Pump	Motorreferens	Märkeffekt	Spänningsfrekvens Antal faser	Strömstyrka	Kondensator	Effektbrytarens värde och inställning	Uppfordringshöjd vid nollflöde
Насос	Артикул двигателя	Номинальная мощность	Напряжение, частота кол-во фаз	Сила тока	Конденсатор	Размер и настройка прерывателя	Манометрическая высота при расходе=0
SP2705EV81 SP2707EV111 SP2305XE81 SP2307XE111 SP32051 SP32081	SP0550MSF	760 W	220-240 V $\surd$ 50 Hz 1 Phase	3 A	16 $\mu$ F	4.1	14 14.6 12.3 13 12 14
SP2710EV161 SP2310XE161 SP32111 SP6050	SP0750MSF	975 W	220-240 V $\surd$ 50 Hz 1 Phase	4.3 A	16 $\mu$ F	4.7	15.3 13.3 16.1 25.5
SP2715EV221 SP2315XE221 SP32161	SP1100MSF	1100 W	220-240 V $\surd$ 50 Hz 1 Phase	5 A	30 $\mu$ F	5.5	15.8 15.5 18.1
SP32201	SP1500MSF	1500 W	220-240 V $\surd$ 50 Hz 1 Phase	7.25 A	30 $\mu$ F	7.9	18.4
SP32301	SP2200MSF	2200 W	220-240 V $\surd$ 50 Hz 1 Phase	9.6 A	40 $\mu$ F	10	19.8
SP2707EV113 SP2307XE113	SP0550TSF	760 W	380-415 V $\surd$ 50 Hz 3 Phases	2.1 / 1.2 A	-	3 / 1.5	14.6 13
SP2710EV163 SP2310XE163	SP0750TSF	975 W	380-415 V $\surd$ 50 Hz 3 Phases	3 / 1.7 A	-	4 / 2	15.3 13.3
SP2715EV223 SP2315XE223	SP1100TSF	1100 W	380-415 V $\surd$ 50 Hz 3 Phases	3.3 / 1.9 A	-	4 / 2	15.8 15.5
SP32203	SP1500TSF	1550 W	380-415 V $\surd$ 50 Hz 3 Phases	5.2 / 3 A	-	5.5 / 3.5	18.4
SP32303	SP2200TSF	2200 W	380-415 V $\surd$ 50 Hz 3 Phases	6.2 / 3.6 A	-	7 / 4	19.8

Housing bolt torque pattern - Ordre de serrage des boulons - Befehl des Festklemmens der Bolzen - Orden de sujeción de los pernos - Ordine d'serrage dei bulloni - Orde van aanspannen van de bouten - Modelo de torsión del cerrojo de la carcasa - Åtdragningsordningsföljd av bultarna - Последовательность затяжки болтов.

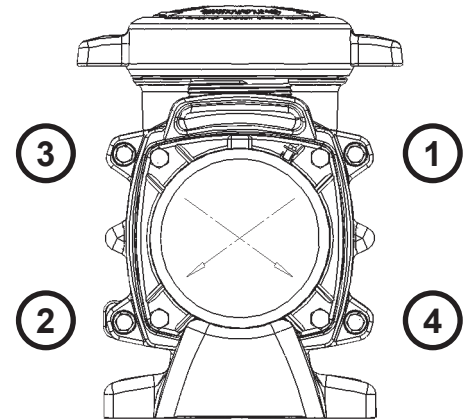
**185 INCH LBS / 20.9 N m**



**TriStar**

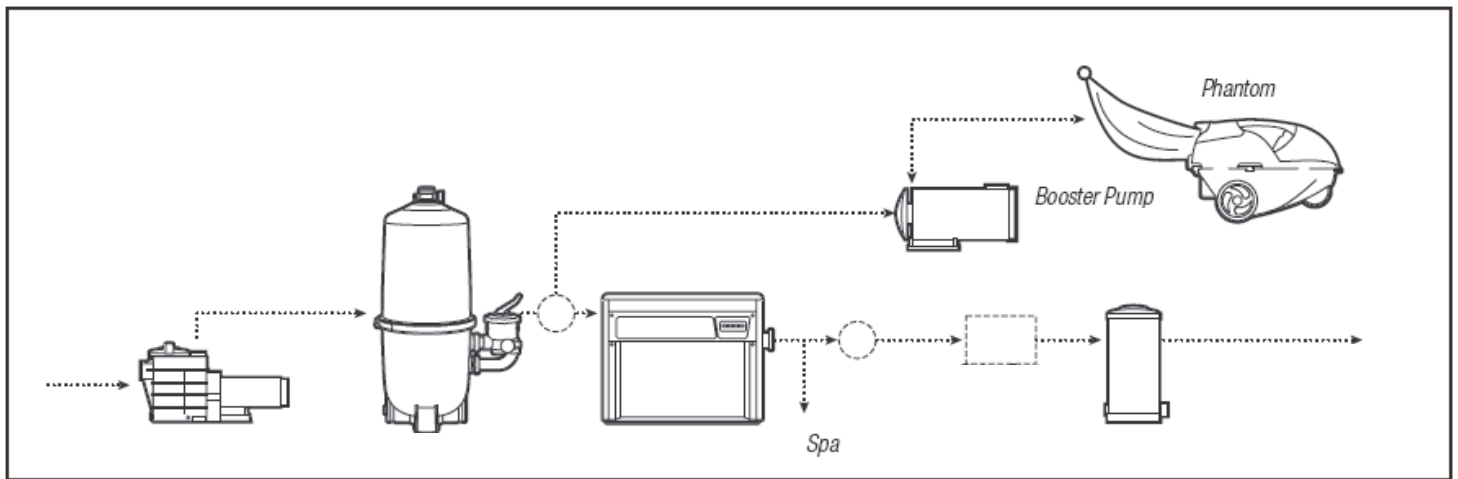


**Max Flo XL**



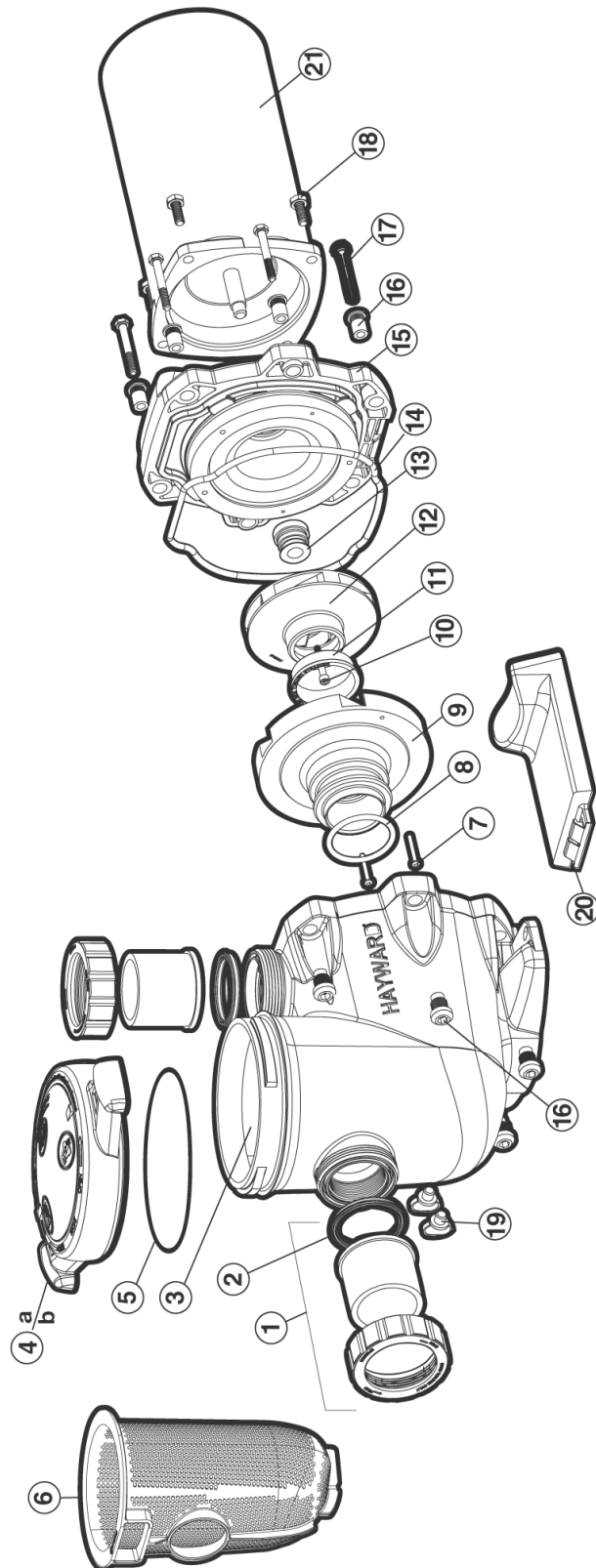
**Max Flo II**

**Booster Pump**





SP3200 SERIE



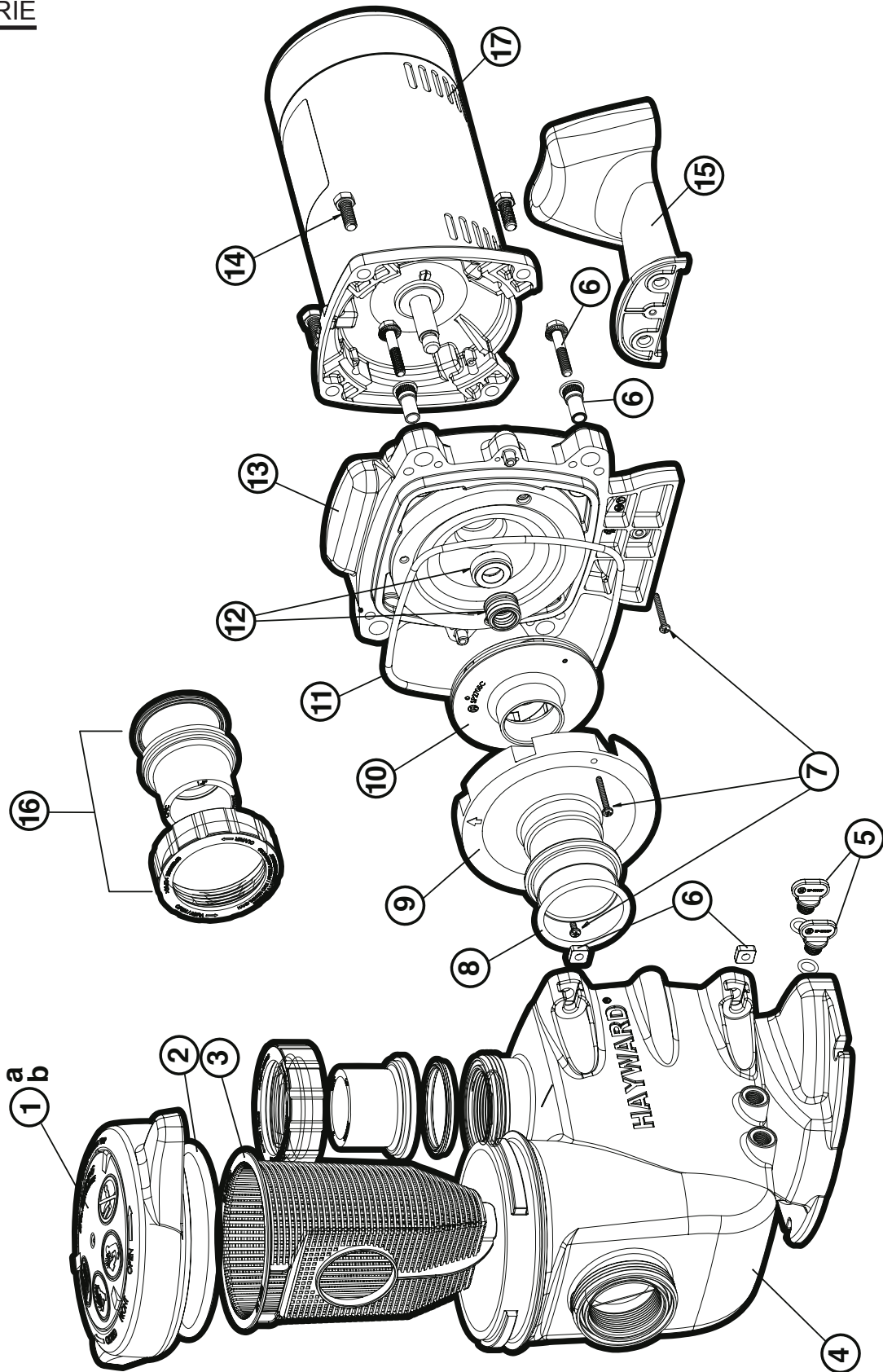
N°	Mod. <b>SP32051</b>	Mod. <b>SP32081</b>	Mod. <b>SP32111</b>	Mod. <b>SP32161</b>	Mod. <b>SP3220X</b>	Mod. <b>SP3230X</b>
1	SP3200UNKIT63	SP3200UNKIT63	SP3200UNKIT63	SP3200UNKIT63	SP3200UNKIT63	SP3200UNKIT63
2	SPX3200UG	SPX3200UG	SPX3200UG	SPX3200UG	SPX3200UG	SPX3200UG
3	SPX3200A	SPX3200A	SPX3200A	SPX3200A	SPX3200A	SPX3200A
4a	SPX3200DLS	SPX3200DLS	SPX3200DLS	SPX3200DLS	SPX3200DLS	SPX3200DLS
4b***	SPX3200DLSB	SPX3200DLSB	SPX3200DLSB	SPX3200DLSB	SPX3200DLSB	SPX3200DLSB
5	SPX3200S	SPX3200S	SPX3200S	SPX3200S	SPX3200S	SPX3200S
6	SPX3200M	SPX3200M	SPX3200M	SPX3200M	SPX3200M	SPX3200M
7	SPX3200Z8	SPX3200Z8	SPX3200Z8	SPX3200Z8	SPX3200Z8	SPX3200Z8
8	SPX4000Z1	SPX4000Z1	SPX4000Z1	SPX4000Z1	SPX4000Z1	SPX4000Z1
9	SPX3200B3	SPX3200B3	SPX3200B3	SPX3200B3	SPX3200B3	SPX3200B3
10	SPX3200Z1	SPX3200Z1	SPX3200Z1	SPX3200Z1	SPX3200Z1	SPX3200Z1
11	SPX3021R	SPX3021R	SPX3021R	SPX3021R	SPX3021R	SPX3021R
12	SPX3205C	SPX3207C	SPX3210C	SPX3215C	SPX3220C	SPX3230C
13	SPX3200SA	SPX3200SA	SPX3200SA	SPX3200SA	SPX3200SA	SPX3200SA
14	SPX3200T	SPX3200T	SPX3200T	SPX3200T	SPX3200T	SPX3200T
15	SPX3200E	SPX3200E	SPX3200E	SPX3200E	SPX3200E	SPX3200E
16	SPX3200Z211	SPX3200Z211	SPX3200Z211	SPX3200Z211	SPX3200Z211	SPX3200Z211
17	SPX3200Z3	SPX3200Z3	SPX3200Z3	SPX3200Z3	SPX3200Z3	SPX3200Z3
18	SPX3200Z5	SPX3200Z5	SPX3200Z5	SPX3200Z5	SPX3200Z5	SPX3200Z5
19	SPX4000FG	SPX4000FG	SPX4000FG	SPX4000FG	SPX4000FG	SPX4000FG
20	SPX3200GA	SPX3200GA	SPX3200GA	SPX3200GA	SPX3200GA	SPX3200GA
21*	SPX0550MSF	SPX0550MSF	SPX0750MSF	SPX1100MSF	SPX1500MSF	SPX2200MSF
21**	-	-	-	-	SPX1500TSF	SPX2200TSF

\* Single phase - Monofasé - Wechselstrommotor - Monofásicos - Monofase - Eenfasige - Monofásicos - Enfasig - Одна фаза.

\*\* Three phase - Triphasé - Drehstrommotor - Trifásicos - Trifase - Driefasige - Trifásicos - Trefasig - Три фазы.

\*\*\* PHMB

SP2700 SERIE



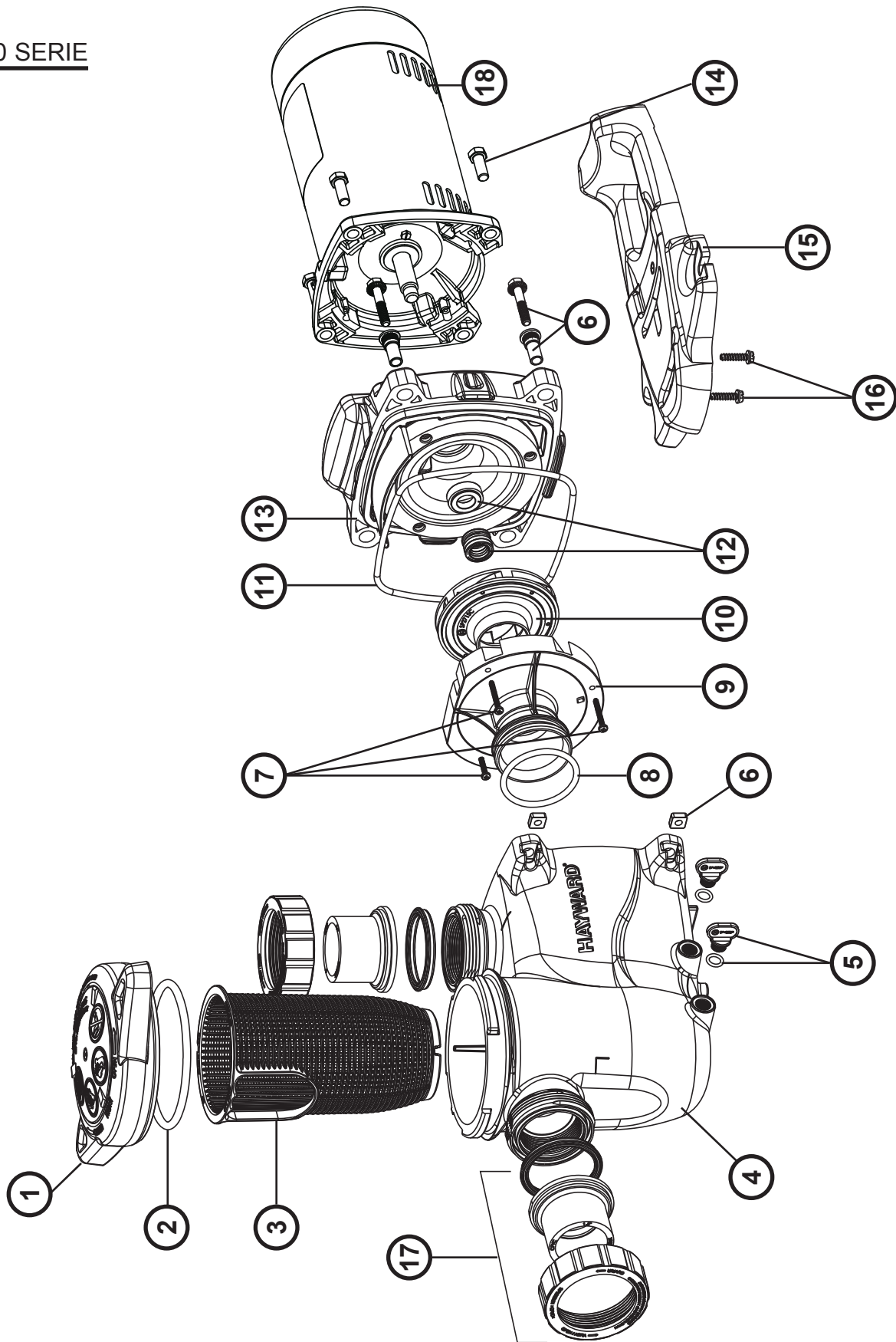
N°	Mod. <b>SP2705EV81</b>	Mod. <b>SP2707EV11X</b>	Mod. <b>SP2710EV16X</b>	Mod. <b>SP2715EV22X</b>
1a	SPX2700DLS	SPX2700DLS	SPX2700DLS	SPX2700DLS
1b***	SPX2700DLSB	SPX2700DLSB	SPX2700DLSB	SPX2700DLSB
2	SPX2700Z4	SPX2700Z4	SPX2700Z4	SPX2700Z4
3	SPX2700M	SPX2700M	SPX2700M	SPX2700M
4	SPX2700A	SPX2700A	SPX2700A	SPX2700A
5	SPX4000FG	SPX4000FG	SPX4000FG	SPX4000FG
6	SPX2700ZPAK	SPX2700ZPAK	SPX2700ZPAK	SPX2700ZPAK
7	SPX2700Z3	SPX2700Z3	SPX2700Z3	SPX2700Z3
8	SX220Z2	SX220Z2	SX220Z2	SX220Z2
10	SPX2707CM	SPX2707C	SPX2710C	SPX2715C
11	GMX0600F	GMX0600F	GMX0600F	GMX0600F
9+12+13	SPX2700ESA3	SPX2700ESA3	SPX2700ESA3	SPX2700ESA3
14	SPX3200Z5	SPX3200Z5	SPX3200Z5	SPX3200Z5
15	SPX2700G	SPX2700G	SPX2700G	SPX2700G
16	SP2700UNKIT50	SP2700UNKIT50	SP2700UNKIT50	SP2700UNKIT50
17*	SPX0550MSF	SPX0550MSF	SPX0750MSF	SPX1100MSF
17**	-	SPX0550TSF	SPX0750TSF	SPX1100TSF

\* Single phase - Monofásé - Wechselstrommotor - Monofásicos - Monofase - Eenfasige - Monofásicos - Enfasig - Одна фаза.

\*\* Three phase - Triphasé - Drehstrommotor - Trifásicos - Trifase - Driefasige - Trifásicos - Trefasig - Три фазы.

\*\*\* PHMB

SP2300 SERIE



N°	Mod. <b>SP2305XE81</b>	Mod. <b>SP2307XE11X</b>	Mod. <b>SP2310XE16X</b>	Mod. <b>SP2315XE22X</b>
1a	SPX2300DLS	SPX2300DLS	SPX2300DLS	SPX2300DLS
1b***	SPX2300DLSB	SPX2300DLSB	SPX2300DLSB	SPX2300DLSB
2	SPX2300Z4	SPX2300Z4	SPX2300Z4	SPX2300Z4
3	SPX2300M	SPX2300M	SPX2300M	SPX2300M
4	SPX2300AA	SPX2300AA	SPX2300AA	SPX2300AA
5	SPX4000FG	SPX4000FG	SPX4000FG	SPX4000FG
6	SPX2700ZPAK	SPX2700ZPAK	SPX2700ZPAK	SPX2700ZPAK
7	SPX2300Z3PAK3	SPX2300Z3PAK3	SPX2300Z3PAK3	SPX2300Z3PAK3
8	SX220Z2	SX220Z2	SX220Z2	SX220Z2
9	SPX2300B	SPX2300B	SPX2300B	SPX2300B
10	SPX2707CM	SPX2710CM	SPX2715CME	SPX2300CVS
11	GMX600F	GMX600F	GMX600F	GMX600F
12	SPX2700SA	SPX2700SA	SPX2700SA	SPX2700SA
13	SPX2300E	SPX2300E	SPX2300E	SPX2300E
14	SPX3200Z5PAK4	SPX3200Z5PAK4	SPX3200Z5PAK4	SPX3200Z5PAK4
15	SPX2300G	SPX2300G	SPX2300G	SPX2300G
16	SPX1600Z52	SPX1600Z52	SPX1600Z52	SPX1600Z52
17	SP2700UNKIT50	SP2700UNKIT50	SP2700UNKIT50	SP2700UNKIT50
18*	SPX0550MSF	SPX0550MSF	SPX0750MSF	SPX1100MSF
18**	-	SPX0550TSF	SPX0750TSF	SPX1100TSF

\* Single phase - Monophasé - Wechselstrommotor - Monofásicos - Monofase - Eenfasige - Monofásicos - Enfasig - Одна фаза.

\*\* Three phase - Triphasé - Drehstrommotor - Trifásicos - Trifase - Driefasige - Trifásicos - Trefasig - Три фазы.

\*\*\* PHMB

## GARANTIE LIMITÉE

Les produits HAYWARD sont garantis contre tous défauts de fabrication ou de matières pendant 2 ans, à compter de la date d'achat. Toute demande d'application de la garantie devra s'accompagner de la preuve d'achat, portant mention de la date. Nous vous conseillons donc de conserver votre facture.

Dans le cadre de sa garantie, HAYWARD choisira de réparer ou de remplacer les produits défectueux, sous condition d'avoir été utilisés selon les instructions du guide correspondant, de n'avoir subi aucune modification, et de ne comporter que des pièces et composants d'origine. La garantie ne couvre pas les dommages dus au gel et aux produits chimiques. Tous les autres coûts (transport, main-d'oeuvre, etc.) sont exclus de la garantie.

HAYWARD ne pourra être tenue pour responsable des dommages directs ou indirects résultant d'une installation, d'un raccordement ou d'une utilisation incorrecte du produit.

Pour toute demande de bénéfice de la garantie et de réparation ou remplacement d'un article, contacter votre revendeur.

Le retour de l'équipement en usine ne sera accepté qu'avec notre accord préalable.

**Les pièces d'usure ne sont pas couvertes par la garantie.**

## LIMITED WARRANTY

All HAYWARD products are covered for manufacturing defects or material defects for a warranty period of 2 years as of date of purchases. Any warranty claim should be accompanied by evidence of purchase, indicating date of purchase. We would therefore advise you to keep your invoice.

The HAYWARD warranty is limited to repair or replacement, as chosen by HAYWARD, of the faulty products, provided that they have been subjected to normal use, in compliance with the guidelines given in their user guides, provided that the products have not been altered in any way, and provided that they have been used exclusively with HAYWARD parts and components. The warranty does not cover damage due to frost and to chemicals. Any other costs (transport, labour, etc.) are excluded from the warranty.

HAYWARD may not be held liable for any direct or indirect damage resulting from incorrect installation, incorrect connection, or incorrect operation of a product.

In order to claim on a warranty and in order to request repair or replacement of an article, please ask your dealer.

No equipment returned to our factory will be accepted without our prior written approval.

**Wearing parts are not covered by the warranty.**

## GARANTÍA LIMITADA

Todos los productos HAYWARD están cubiertos contra defectos de fabricación o del material por un periodo de garantía de 2 años a partir de la fecha de la compra. Cualquier reclamación de garantía debe acompañarse de una prueba de compra, que indique la fecha de compra. Por consiguiente, le aconsejamos que conserve su factura.

La garantía HAYWARD está limitada a reparaciones o sustituciones, a juicio de HAYWARD, de los productos defectuosos, siempre que hayan sido sometidos a un uso normal, de acuerdo con las directrices ofrecidas en sus guías de usuario, y siempre que los productos no hayan sido alterados de ninguna forma, y que se hayan utilizado exclusivamente con piezas y componentes HAYWARD. La garantía no cubre averías debidas a congelaciones o productos químicos. Cualquier otro coste (transporte, mano de obra, etc.) está excluido de la garantía.

HAYWARD puede no asumir ninguna responsabilidad por cualquier avería directa o indirecta derivada de la instalación, conexión u operación incorrecta de un producto.

Para realizar una reclamación sobre la garantía y para solicitar la reparación o sustitución de un artículo, pregunte a su concesionario.

No se admitirá ninguna devolución de equipos a nuestra fábrica sin nuestra aprobación previa por escrito.

**La piezas sometidas a desgaste no están cubiertas por la garantía.**

## GARANTIA LIMITADA

Todos os produtos HAYWARD estão cobertos contra defeitos de fabrico ou de materiais através de uma garantia de 2 anos a contar da data de compra. Qualquer pedido ao abrigo da garantia deve ser acompanhado pelo comprovativo de compra, indicando a data de compra. Portanto, aconselhamos que guarde a sua factura.

A garantia HAYWARD está limitada a reparação ou substituição, mediante critério da HAYWARD, dos produtos com defeito, desde que tenham sido sujeitos a uma utilização normal, de acordo com as linhas de orientação indicadas no manual do utilizador e desde que não tenham sido alterados de qualquer forma que seja e tenham sido utilizados exclusivamente com peças e componentes HAYWARD. A garantia não cobre danos provocados pelo frio ou por químicos. Quaisquer outros encargos (transporte, mão-de-obra, etc.) estão excluídos da garantia.

A HAYWARD não pode ser responsabilizada por quaisquer danos resultantes, directa ou indirectamente, de instalação incorrecta, ligações incorrectas ou utilização incorrecta de um produto.

Para apresentar um pedido ao abrigo da garantia e para solicitar reparação ou substituição de um artigo, informe-se junto do seu agente.

Nenhum equipamento devolvido à nossa fábrica será aceite sem a nossa prévia aprovação por escrito.

**Peças de desgaste não são cobertas pela garantia.**

## BESCHRÄNKTE GARANTIE

Für ALLE Produkte von HAYWARD gilt ab Kaufdatum eine 2-jährige Garantie auf Herstellungs- oder Materialfehler. Zur Geltendmachung der Garantie legen Sie bitte den Kaufnachweis mit dem Kaufdatum vor. Daher empfehlen wir Ihnen, den Kaufbeleg gut aufzubewahren.

Die von HAYWARD gewährte Garantie beschränkt sich nach HAYWARDs Wahl auf die Reparatur oder den Ersatz der mangelhaften Produkte, vorausgesetzt, dass diese entsprechend den in der Benutzeranleitung gemachten Anweisungen einer normalen Benutzung unterzogen wurden, auf keinerlei Weise verändert wurden und unter der Bedingung, dass diese ausschließlich mit Bau- und Ersatzteilen von HAYWARD verwendet wurden. Auf Frost und Chemikalien zurückzuführende Schäden sind von der Garantie ausgeschlossen. Alle anderen Kosten (Transport, Arbeitszeit etc.) sind von der Garantie ausgeschlossen.

HAYWARD haftet nicht für direkte oder indirekte Schäden, die durch unsachgemäße Installation bzw. fehlerhaften Anschluss oder Betrieb eines Produkts entstehen.

Um einen Garantieanspruch geltend zu machen und Reparatur oder Ersatz eines Artikels anzufordern, wenden Sie sich bitte an Ihren Händler.

Ohne unsere vorherige schriftliche Zustimmung nehmen wir keine an unser Werk gesendeten Geräte an.

**Verschleißteile sind von der Garantie ausgeschlossen.**

## BEPERKTE GARANTIE

Op alle HAYWARD-producten geldt een garantie van 2 jaar vanaf de aankoop voor alle materiaal- of fabricagefouten. Indien u gebruik wil maken van deze garantie, moet u het aankoopbewijs waarop de aankoopdatum vermeld staat meesturen. We raden u daarom aan uw factuur te bewaren.

De garantie van HAYWARD is beperkt tot het herstellen of vervangen, zoals gekozen door HAYWARD, van defecte producten, voor zover ze in normale gebruiksomstandigheden en in overeenstemming met de richtlijnen van het gebruikershandboek gebruikt werden, ze niet gewijzigd werden en uitsluitend met HAYWARD-onderdelen en -componenten gebruikt werden. De garantie geldt niet voor schade door vorst en chemicaliën. Alle andere kosten (transport, werkuren, enz.) zijn uitgesloten van garantie.

HAYWARD kan niet aansprakelijk worden gesteld voor directe of indirecte schade die voortvloeit uit een verkeerde installatie, een verkeerde aansluiting of een verkeerd gebruik van een product.

Om uw recht op garantie uit te oefenen en de herstelling of vervanging van een artikel aan te vragen, moet u contact met uw verdeler opnemen.

Geen enkele uitrusting die naar onze fabriek teruggestuurd wordt, wordt zonder onze voorafgaande schriftelijke goedkeuring aanvaard.

**De garantie geldt niet voor reserveonderdelen**



## GARANZIA LIMITATA

Tutti i prodotti HAYWARD sono garantiti contro i difetti di produzione o i difetti sul materiale per un periodo di 2 anni dalla data d'acquisto. Ogni eventuale richiesta di intervento in garanzia deve essere accompagnata da una prova d'acquisto riportante la data. Si consiglia, pertanto, di conservare la fattura o lo scontrino fiscale.

HAYWARD si riserva la scelta se riparare o sostituire i prodotti difettosi a condizione che questi siano stati utilizzati secondo le istruzioni riportate nel manuale d'uso, non siano stati modificati e non presentino parti e componenti non originali. La presente garanzia non copre i danni dovuti al gelo o all'azione di prodotti chimici. Ogni altro costo (trasporto, manodopera, ecc.) è escluso dalla presente garanzia.

HAYWARD non è da ritenersi responsabile per qualsiasi danno, diretto o indiretto, derivante da un'installazione non corretta, da collegamenti erronei o da un uso improprio del prodotto.

Per usufruire della presente garanzia e richiedere un intervento di riparazione o sostituzione di un articolo, contattare il proprio rivenditore. Nessun prodotto può essere rinviato direttamente in fabbrica senza la nostra preliminare autorizzazione.

**Le parti usurabili non sono coperte da garanzia.**

## BEGRÄNSAD GARANTI

Alla produkter från Hayward omfattas av en garanti för tillverknings- och materialfel under två år från inköpsdatum. Bifoga inköpsbevis med datum vid garantifrågor. Vi rekommenderar därför att du sparar fakturan.

Haywards garanti täcker reparation eller byte, efter Haywards eget skön, av defekt produkt, förutsatt att denna använts på normalt sätt enligt anvisningarna i respektive användarhandbok och inte ändrats på något sätt samt att endast delar och komponenter från Hayward använts. Garantin täcker inte skada på grund av frost eller kemikalier. Inga ytterligare kostnader (frakt, arbete m.m.) täcks av garantin.

Hayward kan inte hållas ansvarig för direkt eller indirekt skada på grund felaktig installation, anslutning eller användning av produkten.

Vänligen kontakta din återförsäljare för garantifrågor och eventuell reparation eller byte av en artikel.

Ingen utrustning som återsänds till vår fabrik kommer att accepteras utan vårt skriftliga godkännande i förväg.

**Garantin täcker inte slitdelar.**

## ОГРАНИЧЕННАЯ ГАРАНТИЯ

На ВСЕ изделия компании «HAYWARD» распространяется гарантия в случае обнаружения производственных либо материальных дефектов сроком на 2 года, начиная с даты покупки. К любым претензиям по гарантии следует в обязательном порядке прилагать доказательство покупки изделия, содержащее дату ее совершения. Поэтому мы настоятельно рекомендуем Вам сохранять счет-фактуру.

Гарантия, предоставляемая на изделия компании «HAYWARD», ограничивается ремонтом или заменой дефектных изделий по выбору компании «HAYWARD», при условии их нормальной эксплуатации с соблюдением требований, приведенных в руководствах к ним, а также при отсутствии каких-либо изменений данных изделий и использовании только оригинальных деталей и комплектующих. Гарантия не распространяется на повреждения, причиненные воздействием низких температур или химикатов. Все прочие расходы (транспортировка, обслуживание и т.п.) из гарантии исключены.

Компания «HAYWARD» не несет ответственности за любой прямой или косвенный ущерб, понесенный вследствие ненадлежащей установки, подключения или эксплуатации изделия.

Для того, чтобы предъявить претензии по гарантии или потребовать ремонта / замены изделия, обратитесь к своему дилеру.

Возврат оборудования на завод-изготовитель осуществляется только при нашем предварительном согласии.

**Настоящая гарантия не распространяется на изнашиваемые части.**



Hayward is a registered trademark  
of Hayward Industries, Inc.  
© 2015 Hayward Industries, Inc.