

3 way ball valve S4
Electric actuator EO510 ECO



Symbol photo

General:

- Material: PVC-U / PP / PVDF
- Sealing material: EPDM / FPM
- Ball seating joint: PTFE
- Ball T- or L-bore
- Dimensions

| | |
|------|------------------------|
| DN10 | (DN15 / d16 / d3/8") |
| DN15 | d20 / d1/2" |
| DN20 | (DN25 / d25 / d3/4") |
| DN25 | d32 / d1" |
| DN32 | (DN40 / d40 / d1 1/4") |
| DN40 | d50 / d1 1/2" |
- Voltages: 230V AC

Connector types

- Solvent socket DIN
PVC
- Solvent spigot DIN
PVC
- Fusion socket DIN
PP / PVDF
- Fusion spigot DIN
PP / PVDF

Operating pressure:

DN10 d12 3/8" – DN25 d10 1" 10 bar
 DN32 d40 1 1/4" – DN40 d50 1 1/2" 3 bar

Technical Features:

- Manual override with visual position indicator
- 4 possible travel stops
- Position feedback possible
- Protection class IP65

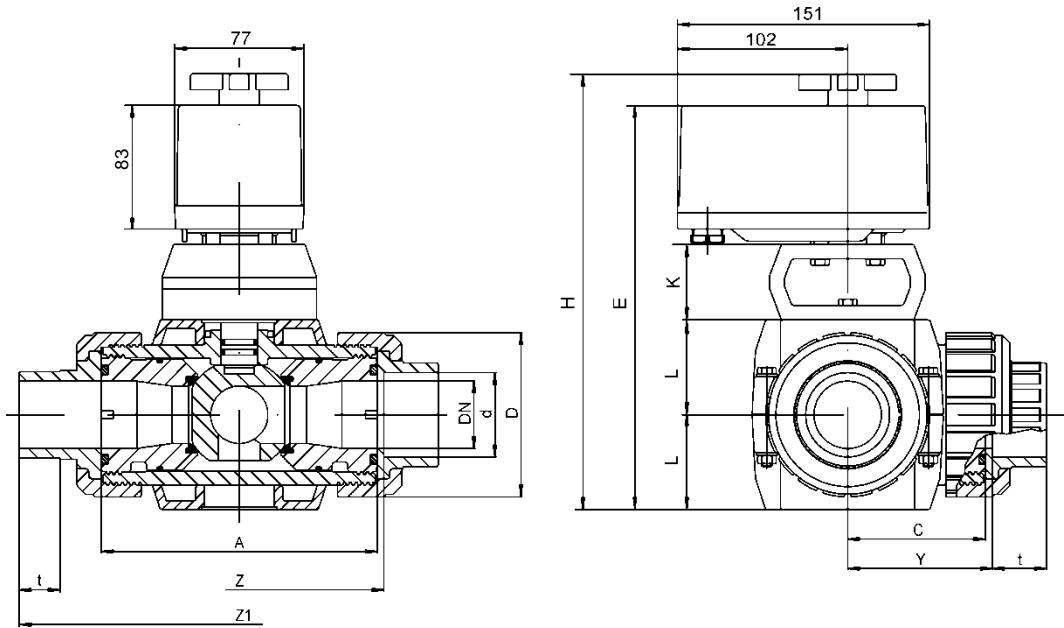
This document does not constitute a guarantee, it is for initial information purposes only. The product range is continually upgraded, the designs and types therefore only reflect the state of the art at the time of printing. Subject to technical modifications!

3 way ball valve S4

Electric actuator EO510 ECO



Dimensions:



PVC-U

Connector types

PVC solvent socket / solvent spigot

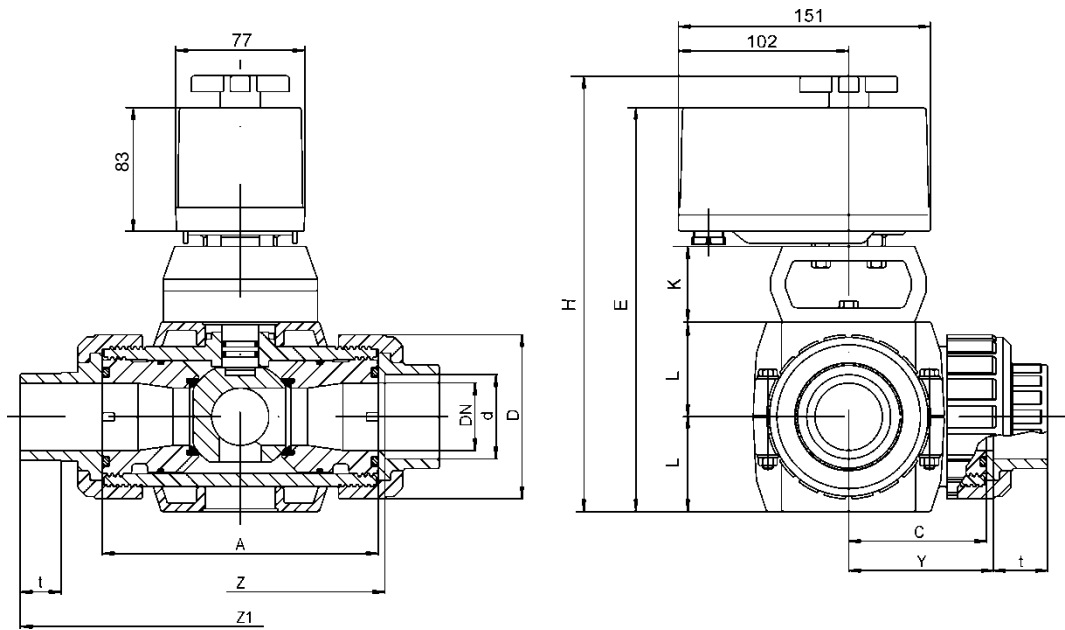
| | | <i>without console</i> | | | | | | |
|--------------------|--|------------------------|-------|-------|-------|------|------|----|
| | | 10 | 15 | 20 | 25 | 32 | 40 | |
| | | DN | 10 | 15 | 20 | 25 | 32 | 40 |
| | | d | 16 | 20 | 25 | 32 | 40 | 50 |
| ball valve PVC-U | A | 100 | 100 | 120 | 120 | 162 | 162 | |
| | C | 50 | 50 | 60 | 60 | 81 | 81 | |
| | D | 53 | 53 | 70 | 70 | 101 | 101 | |
| | t_{SSO}¹ / SSP² | 16,5 | 16,5 | 20 | 22,5 | 27,5 | 31,5 | |
| | Y | 53 | 53 | 63 | 63 | 84,5 | 85,5 | |
| | Z | 106 | 106 | 126 | 126 | 169 | 171 | |
| | Z1_{SSP}² | 153 | 163 | - | 200 | - | 261 | |
| | | bar | 10 | 10 | 10 | 10 | 3 | 3 |
| Bracket / actuator | E | 196,5 | 196,5 | 216,5 | 216,5 | 205 | 205 | |
| | H | 216,5 | 216,5 | 236,5 | 236,5 | 225 | 225 | |
| | K | 38 | 38 | 38 | 38 | - | - | |
| | L | 33 | 33 | 43 | 43 | 56 | 56 | |

dimensions in mm

¹ SSO = solvent socket - = currently not realised
² SSP = solvent spigot

3 way ball valve S4

Electric actuator EO510 ECO



PP / PVDF

Connector types

PP / PVDF fusion socket / fusion spigot

| | | DN | 10 | 15 | 20 | 25 |
|---|--|-----|-------|-------|-------|-------|
| | | d | 16 | 20 | 25 | 32 |
| ball valve PP / PVDF | A | | 98 | 98 | 118 | 118 |
| | C | | 49 | 49 | 59 | 59 |
| | D | | 53 | 53 | 70 | 70 |
| | t _{F^{SO}} ¹ | | 14,5 | 16 | 17,5 | 19,5 |
| | t _{F^{SP}} ² | | 13 | 14 | 16,5 | 18,5 |
| | Y _{F^{SO}} ¹ | | 54 | 52 | 64 | 65 |
| | Z _{F^{SO}} ¹ | | 107 | 104 | 128 | 129 |
| Z1 _{F^{SP}} ² | | 150 | 160 | 190 | 197 | |
| | | bar | 10 | 10 | 10 | 10 |
| Bracket / actuator | E | | 196,5 | 196,5 | 216,5 | 216,5 |
| | H | | 216,5 | 216,5 | 236,5 | 236,5 |
| | K | | 38 | 38 | 38 | 38 |
| | L | | 33 | 33 | 43 | 43 |

dimensions in mm

¹ FSO= fusion socket

² FSP = fusion spigot

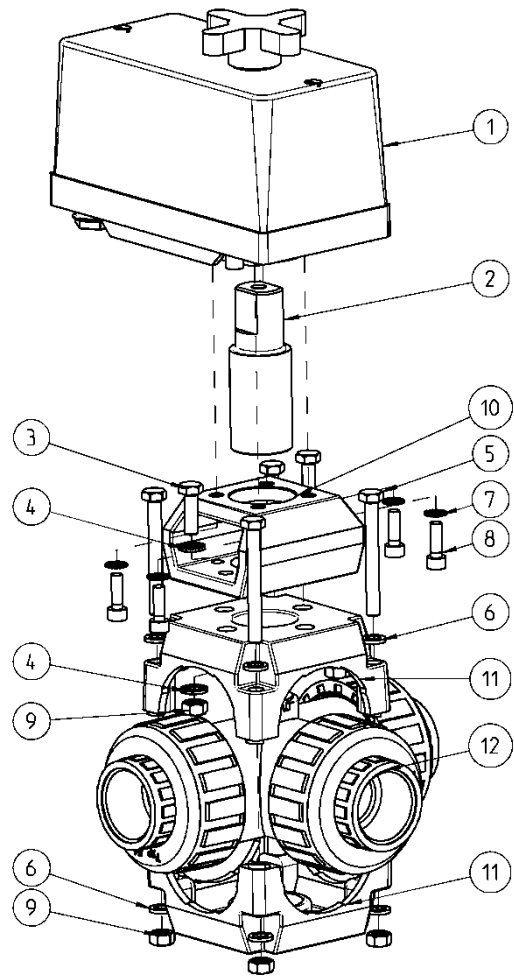
3 way ball valve S4

Electric actuator EO510 ECO



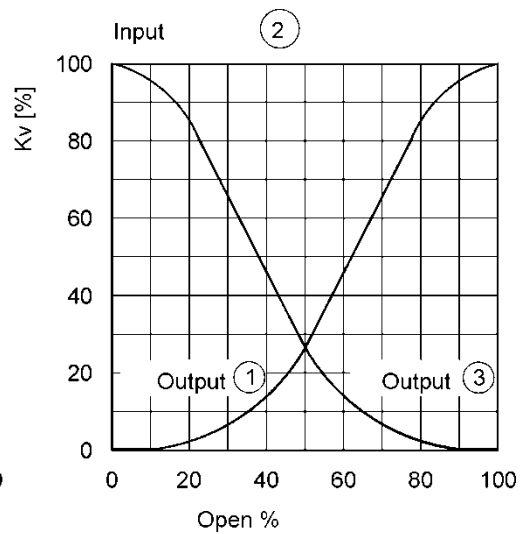
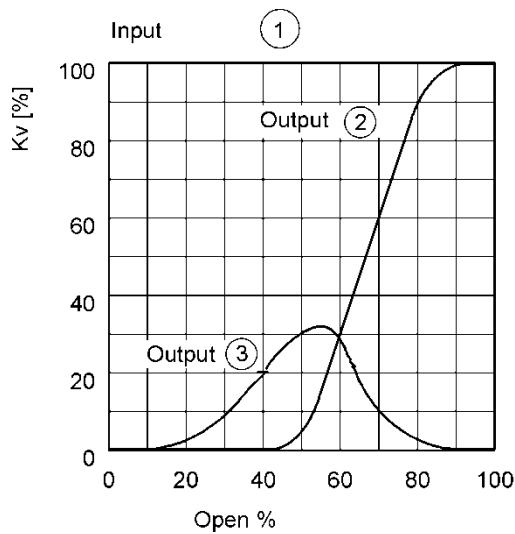
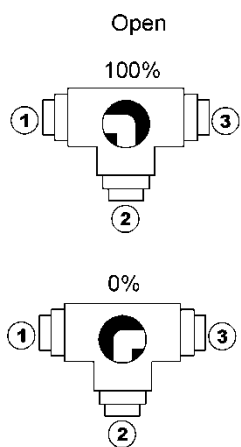
Exploded drawing:

- 1. Actuator
- 2. Clutch
- 3. Screws
- 4. Tooth wheel
- 5. Screws
- 6. Washer
- 7. Tooth wheel
- 8. Screw
- 9. Nut
- 10. Console
- 11. Bracket
- 12. 3 way ball valve S4



Diagrams:

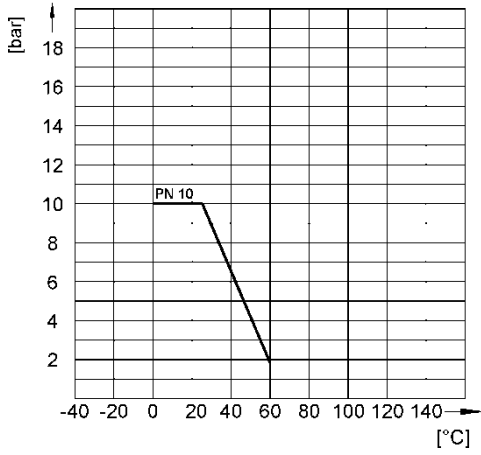
Flow-Characteristic



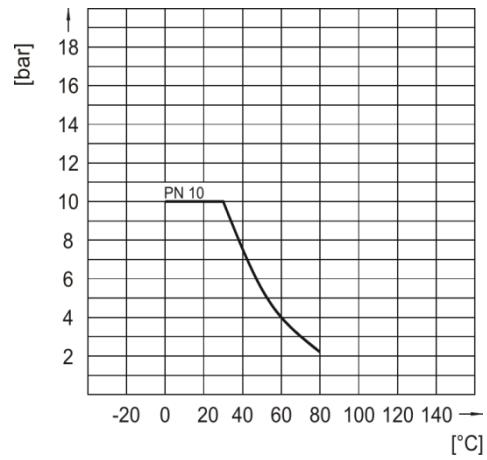
3 way ball valve S4
Electric actuator EO510 ECO



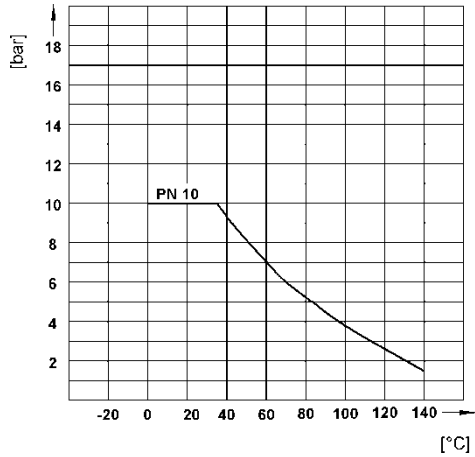
Pressure-Temperature-Diagram – PVC-U



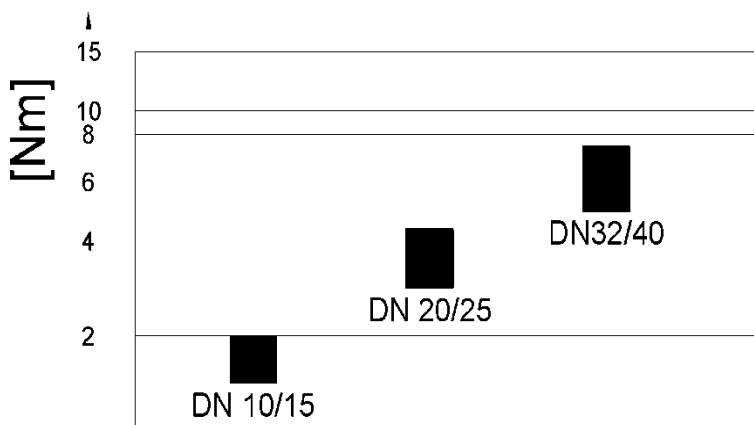
Pressure-Temperature-Diagram – PP



Pressure-Temperature-Diagram – PVDF



Torque



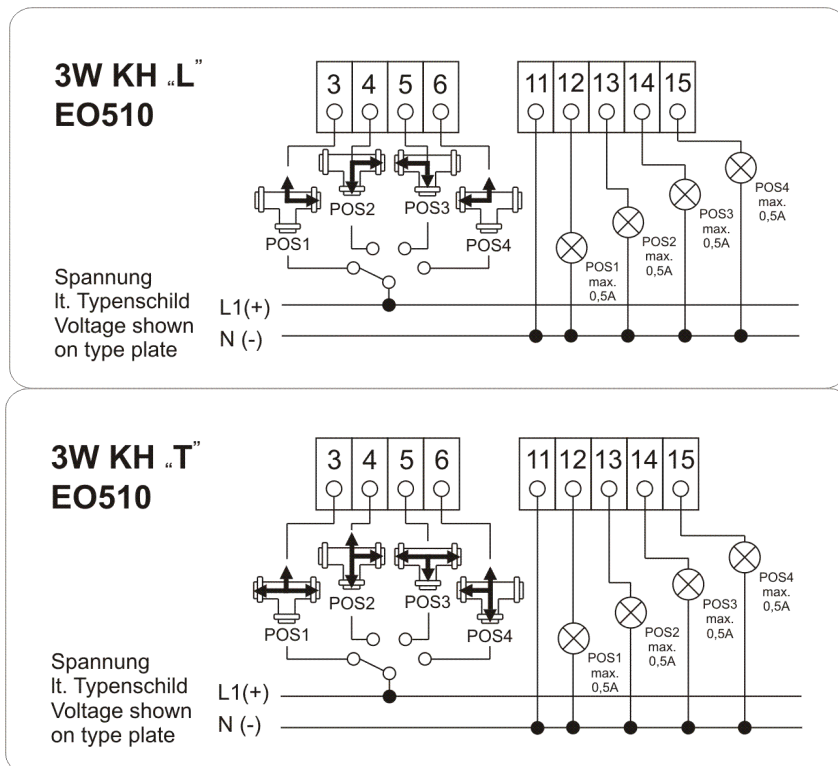
3 way ball valve S4
Electric actuator EO510 ECO



Technical data EO510 ECO:

| | EO510 ECO-230 |
|-----------------------|--|
| Voltages | 230V AC |
| Frequency range | 50 / 60 Hz |
| Power consumption | 4 Watt |
| Protection | IP65 |
| Operating time | 26 sec 90° |
| Rotation angle | 360° set to 90° 2 intermediate positions possible |
| Duty duration | 60% / max. 20 min |
| Electrical connection | cable gland |
| Nominal torque | 7 Nm |
| Peak torque | 9 Nm |
| Temperature | 0°C bis + 50°C |
| Body material | ABS |
| Position indicator | optically (manual override handle) |
| Manual override | integrated |

Electrical Connection:



© Praher Plastics Austria GmbH DB/EN/DEEN/12/10/308 Subject to technical modification!